

Tumble Dryer

AD-30x2 / AD-45x2 AD-30x2R / AD-45x2R AD-30x2Ri / AD-45x2Ri

EN – Installation/Operator Manual

GB, IE



**To avoid errors and damage to the dryer,
please read these instructions carefully
before attempting to install or operate**



American Dryer Corporation
88 Currant Road
Fall River MA 02720-4781 USA
Telephone: +1 (508) 678-9000 / Fax: +1 (508) 678-9447
e-mail: techsupport@amdry.com

www.adclaundry.com



Safety Precautions

Only qualified personnel should install, service, or adjust this equipment.

The information in this manual must be followed to minimize the risk of fire or explosion and to prevent property damage, personal injury, or loss of life.

Do not allow children to play on or in the dryer.

Children must be supervised when near an operating dryer.

The appliance can be used by children aged from 8 years and above and persons with reduced physical, sensory and mental capabilities or lack of experience and knowledge if they have been given supervision or instruction concerning use of appliance in a safe way and understand the hazards involved.

Do not modify this appliance.

Do not bypass or disable any door or drawer switch.

Do not bypass or disable any heat safety circuit.

Do not operate with any guards or service panels removed.

Do not operate if the lint filter is not in place.

Do not use dryer in the presence of dry cleaning fumes.

Do not spray aerosols near the dryer while it is operating.

Dry only water washed fabrics. Do not dry articles spotted or washed in dry cleaning solvents, combustible detergents, industrial chemicals, or "all-purpose" cleaner.

Do not dry rags or articles coated or contaminated with gasoline, kerosene, oil, paint, or wax.

Items that have been spotted or soaked with vegetable or cooking oil constitute a fire hazard and should not be dried.

The presence of residual quantities of aggressive or decomposed chemicals in the load may damage the machine or produce harmful fumes.

Do not dry mop heads. Contamination from wax or flammable solvents are a fire hazard.

Do not store or use gasoline or other flammable liquids or vapors in the vicinity of this appliance.

A qualified technician must be called if any high-limit thermostat trips to investigate, and resolve, the issue.

Disconnect power before resetting any safety device.

Do not use heat for drying articles that contain plastic, foam, sponge rubber, or similarly textured rubber materials.

Lint buildup in the burner area, exhaust duct, and around the machine is a fire hazard and must be cleaned frequently.

You must disconnect and lockout the electric supply and the gas supply, before removing any guards.

Label all wires prior to disconnection when servicing the dryer.

Every drying cycle finishes with a cool-down period to remove heat from the dry load. Never stop the dryer before the end of the drying cycle unless the load is quickly removed and spread out to allow the heat to dissipate quickly.

Fabric softeners or similar products should only be used as recommended by the fabric softener manufacturer.

Exhaust duct outlet should be checked periodically for blockages, and if any found, removed.

Use this dryer only for its intended purpose, drying fabrics.

Purchaser and user should consult the local gas supplier for proper instructions to be followed in the event the user smells gas. The instructions should be posted in a prominent location.

What To Do If You Smell Gas:

- Do not try to operate any appliance.
- Do not touch any electrical switch.
- Do not use any phone in your building.
- Clear the room, building, and area of all occupants.
- Immediately call your gas supplier from a neighbor's phone. Follow the gas supplier's instructions.
- If you cannot reach your gas supplier, call the fire department.

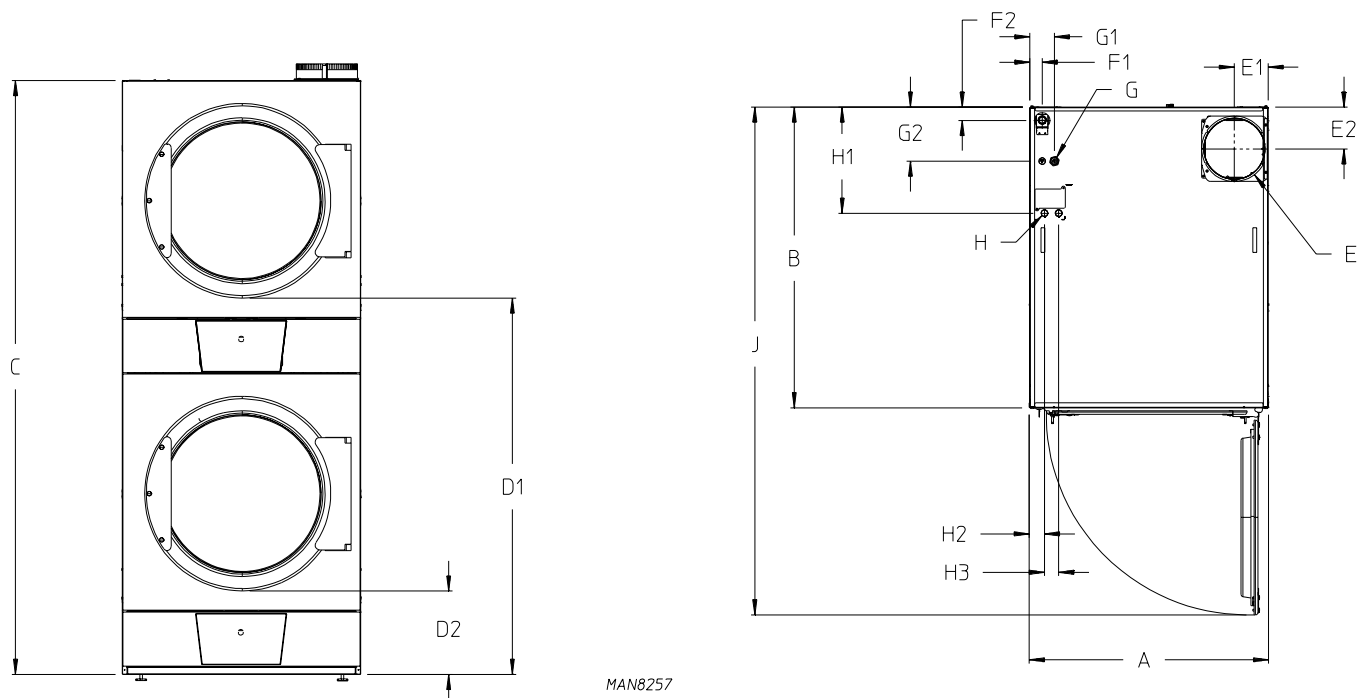
Table of Contents

SAFETY PRECAUTIONS	2
TECHNICAL SPECIFICATIONS	3
INSTALLATION PROCEDURES	4
LOCATION REQUIREMENTS	4
UNPACKING / SETTING UP	4
DRYER ENCLOSURE REQUIREMENTS	4
FRESH (MAKE-UP) AIR SUPPLY REQUIREMENTS	4
EXHAUST REQUIREMENTS	4
ELECTRICAL INFORMATION (50HZ)	6
GAS INFORMATION	8
GAS TYPE CONVERSION	9
BURNER PRESSURE MEASURE AND ADJUST	10
WATER INFORMATION	10
START-UP	10
PREOPERATIONAL TEST	10
OPERATING INSTRUCTIONS	10
ROUTINE MAINTENANCE	11
SERVICE / PARTS INFORMATION	11
DATA LABEL INFORMATION	11
WARRANTY INFORMATION	12

Technical Specifications		AD-30x2	AD-45x2
Maximum Capacity (Dry Weight) per pocket	kg	13.6	20.4
Tumbler Volume per pocket	liters	311.5	413.4
Tumbler (Diameter x Depth)	cm	76.2 x 68.5	83.2 x 76.2
Door Opening (Diameter)	cm	54.6	68.6
Airflow (50Hz) per pocket	cmm	10.6	12.5
Heat Rate (Gas) per pocket	kW	21.1	27.5
Airborne Sound Level	dB(A)	<70	<70
Tumbler (Drive) Motor per pocket	kW	0.19	0.25
Blower (Fan) Motor per pocket	kW	0.37	0.37
Net Weight	kg	236	290
Shipping Weight	kg	249	318
Cabinet Width (A)	cm	80.0	87.0
Cabinet Depth (B)	cm	100.7	121.7
Cabinet Height (C)	cm	198.9	205.7
Door Height (D1 / D2)	cm	126.1 / 27.9	122.5 / 20.7
Exhaust Connection (Diameter) (E)	cm	20.3	25.4
Gas Connection (F)	ISO 7/1	Rc 1/2	Rc 1/2
Water Connection (G)	ISO 7/1	R 3/4	R 3/4
Electric Connection (H)			

		E1	E2	F1	F2	G1	G2	H1	H2	H3	J
30x2	cm	11.3	14.0	4.2	4.5	8.3	18.1	35.6	5.1	4.7	170.0
45x2	cm	13.8	16.9	4.2	31.1	4.2	21.3	13.6	7.3	6.9	204.3

NOTE: The manufacturer reserves the right to make changes in specifications at any time, without notice or obligation.



Installation Procedures

Location Requirements

The temperature of the installation location must remain between 4° C and 55° C.

The dryer must not be installed or stored in an area where it will be exposed to water and/or weather.

The dryer should be located where a minimum amount of exhaust ducting will be necessary.

The dryer must be installed on a sound level floor capable of supporting its weight. Any carpeting must be removed.

Install a lockable door to prevent the public from accessing the rear of the dryer.

The appliance must not be installed behind a lockable door, a sliding door or a door with a hinge on the opposite side to that of the tumble dryer, in such a way that a full opening of the tumble dryer door is restricted.

Unpacking / Setting Up

Dryer must be handled in an upright position at all times.

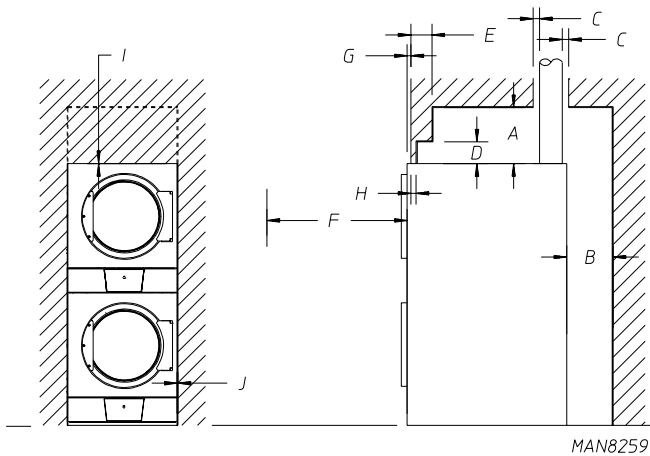
Remove protective shipping material (i.e. plastic wrap and optional shipping box) from the dryer.

Remove the pallet. Remove the 4 bolts securing the base of the dryer to the pallet (one in each corner of the cabinet base). Remove the back guard for access to the 2 rear bolts. Remove the bottom lint door to reach the 2 front bolts.

If the dryer is to be slid into its final position, ensure that all four leveling legs (one in each corner) are extended slightly so the dryer will slide on these legs (not the cabinet frame).

Once the dryer is in position, adjust the leveling legs so it is level front-to-back and side-to-side.

Dryer Enclosure Requirements



Clearance to combustible material

- A Minimum 30 cm (46 cm recommended)
- B Minimum 30 cm (61 cm recommended)
- C Minimum 5 cm
- D Minimum 10 cm
- E Maximum 10 cm

Clearance to nearest obstacle

- F Open door: AD-30x2: 76 cm, AD-45x2: 82.6 cm
- G 2.5 cm
- H 2.5 cm
- I 1.5 mm
- J 1.5 mm



Fresh (Make-Up) Air Supply Requirements

The dryer draws in air, heats it, passes it through the tumbler, and exhausts it outside.

Adequate ventilation has to be provided to avoid the back flow of gases into the room from appliances burning fuels, including open fires.

Insufficient fresh air supply could diminish dryer performance.

Make-up air must be free of dry cleaning solvent fumes.

Locate fresh air openings away from exhaust vent discharge.

Locate the openings behind the dryer to avoid room drafts.

An unrestricted opening to the outdoors of 928 cm² for each AD-30x2 and 1,210 cm² for each AD-45x2 is required (Based on 22 cm² per kW).

Separate make-up air openings are not required. Common openings, located evenly between the dryers, are acceptable.

The size of the make-up air opening must be increased by 33% to compensate for the use of registers or louvers.

Exhaust Requirements

Single (independent) dryer venting is recommended.

Dryers must be exhausted to the outdoors.

The dryer shall not be exhausted into any gas vent, chimney, wall, ceiling, or concealed space of a building.

Exhaust ductwork should be designed and installed by a qualified professional. Improperly sized ducting will result in slow drying and possible dryer malfunction.

Exhaust back pressure should be a minimum of 0mb and a maximum of 1.0mb.

The design of the flue system shall be such that any condensate formed when operating the appliance from cold shall either be retained and subsequently re-evaporated or discharged.

Use metal ducting or other noncombustible material.

Avoid 90° turns; use gentle (30° or 45°) bends instead.

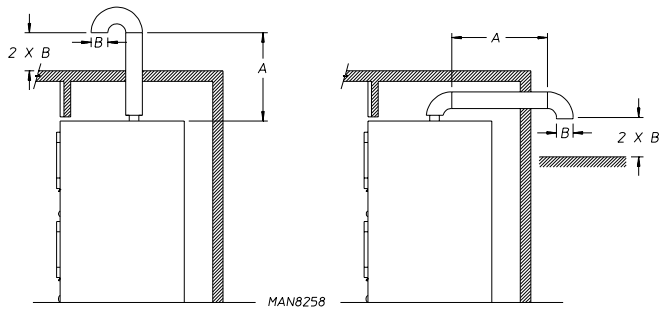
Elbow radius should be at least 1.5 times the duct diameter.

Avoid using screws or other fasteners that project into the exhaust airflow and collect lint.

There must be 5 cm of clearance if the duct passes through any wall, ceiling, or roof made of combustible materials.

Protect the end of the exhaust duct from the weather outside.

Single Dryer Venting (50Hz)



	AD-30x2	AD-30x2	AD-45x2
A (m)	4.4	28	16
B (mm)	203	254	254

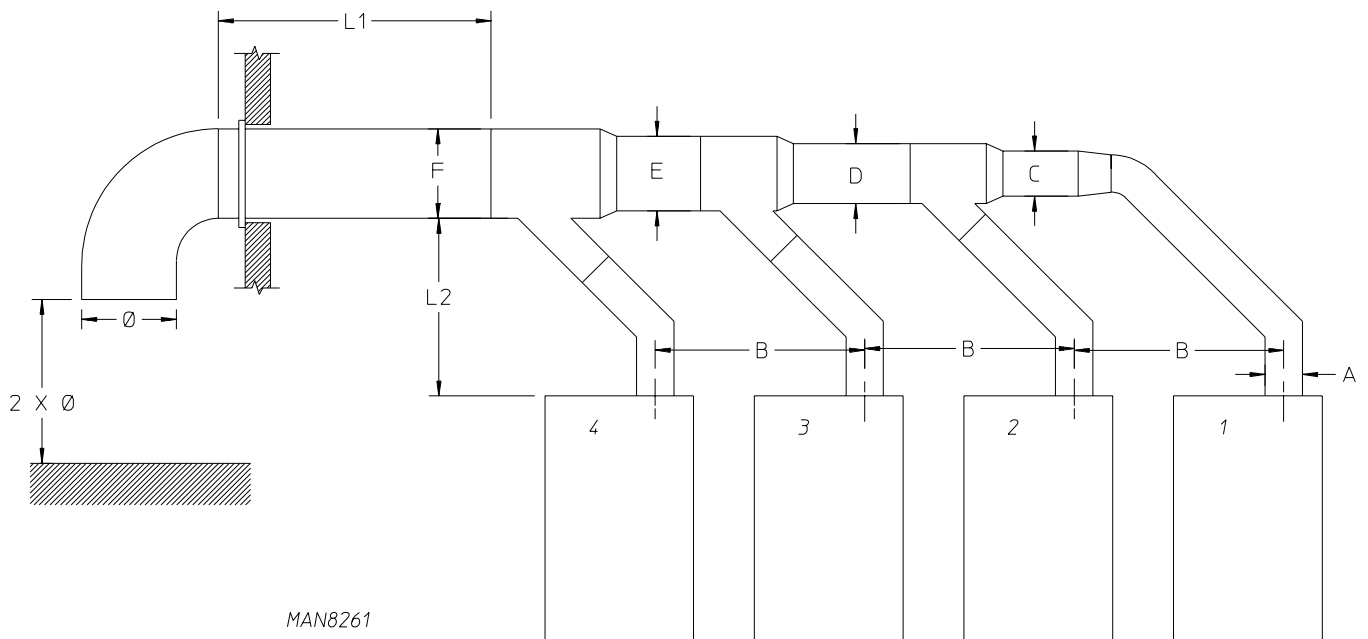
Multiple Dryer (Common) Venting (50Hz)

If separate exhaust ducts are not possible then ducts from multiple dryers may be channeled into a "common main duct."

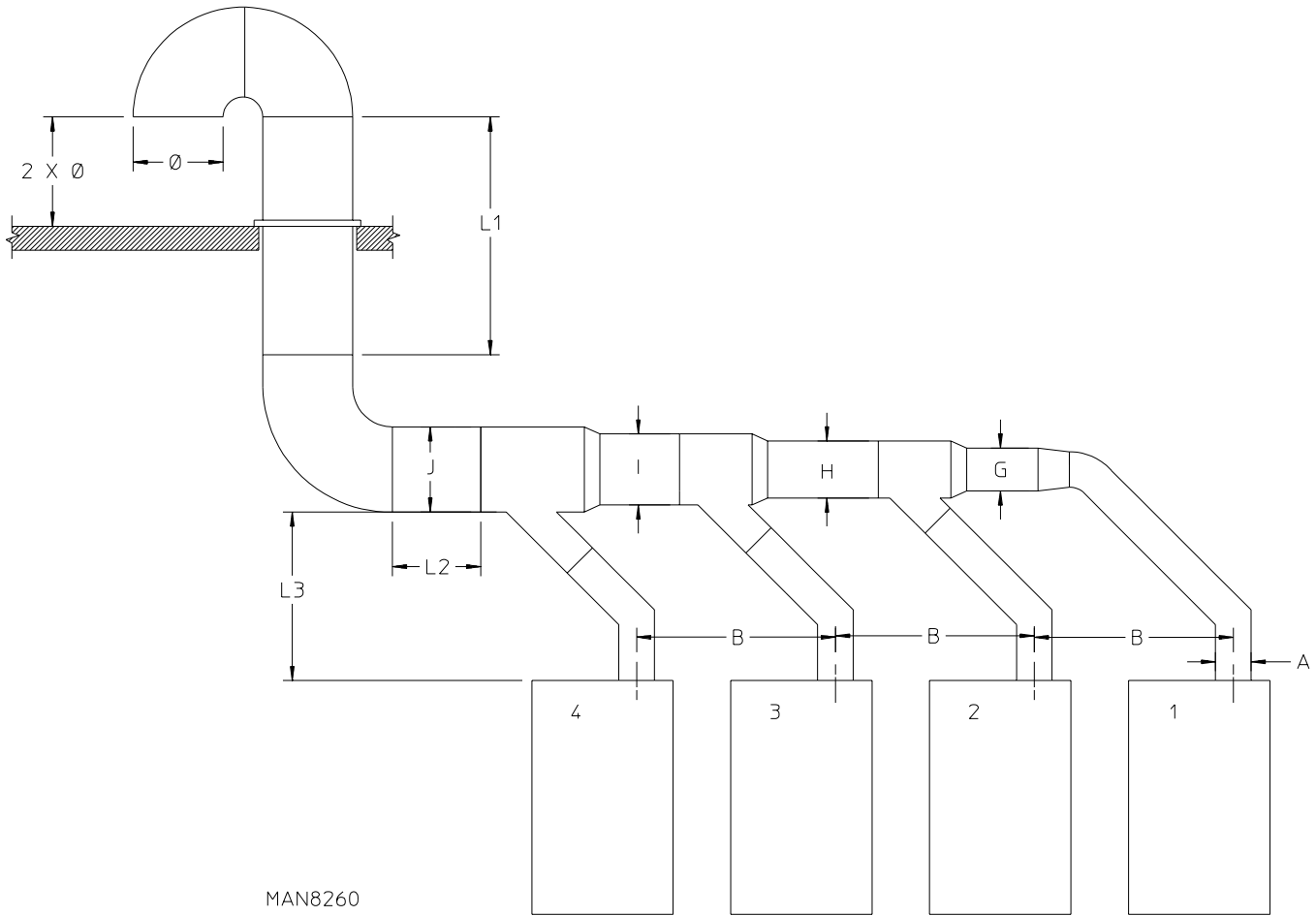
No more than four dryers should be commonly vented.

Multiple Dryer Venting		
	AD-30x2	AD-45x2
A (mm)	203	254
B (mm)	800	870
Multiple Dryer Venting - Through an End Wall		
C (mm)	254	254
D (mm)	305	356
E (mm)	356	406
F (mm)	406	457
L1+L2 (m)	8.5	15
Multiple Dryer Venting - Through Roof or Rear Wall		
G (mm)	254	305
H (mm)	356	406
I (mm)	406	457
J (mm)	508	508
L1+L2+L3 (m)	14	11.5

The individual ducts should enter the bottom or side of the main duct at an angle of not more than 45° in the direction of airflow. The main duct diameter should increase before each individual duct is added.



Multiple Dryer Venting - Through End Wall (2x 90° Turns)



MAN8260

Multiple Dryer Venting – Through Roof or Rear Wall (4x 90° Turns)



Electrical Information (50Hz)

Electric installation must be performed by qualified personnel in accordance with national and local safety regulations.

The dryer must be electrically earthed (grounded) in accordance with national and local codes.

Individual earth circuit must be provided to each dryer (each pocket can be independently wired, if you prefer).

Failure to properly earth the dryer will void the warranty.

An external means of power removal (disconnect device) must be provided.

Each dryer should be connected to a properly sized, and independently protected, branch circuit.

The electric supply must match exactly what is specified on the dryer's rating plate (data badge).

Electrical Connections

A ground lug and lever nuts will be supplied for the electrical input connections made at the top of the dryer (refer to the Technical Specifications page).

A strain relief must be used where wires enter the dryer.

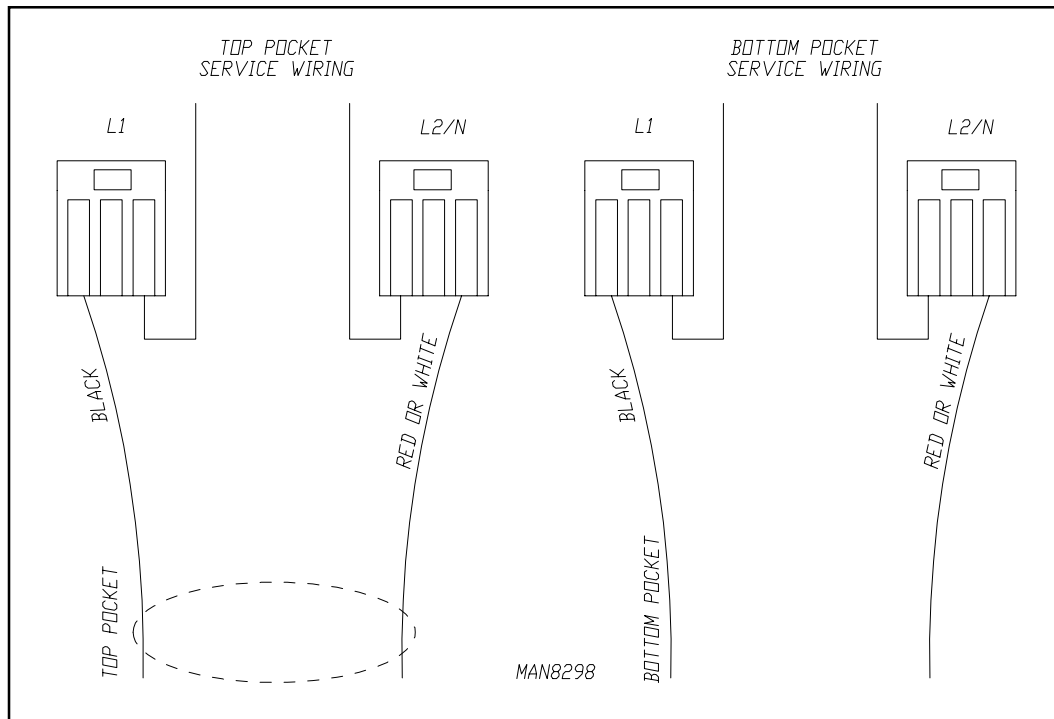
Gas Heated Dryers

Single-Phase Connection

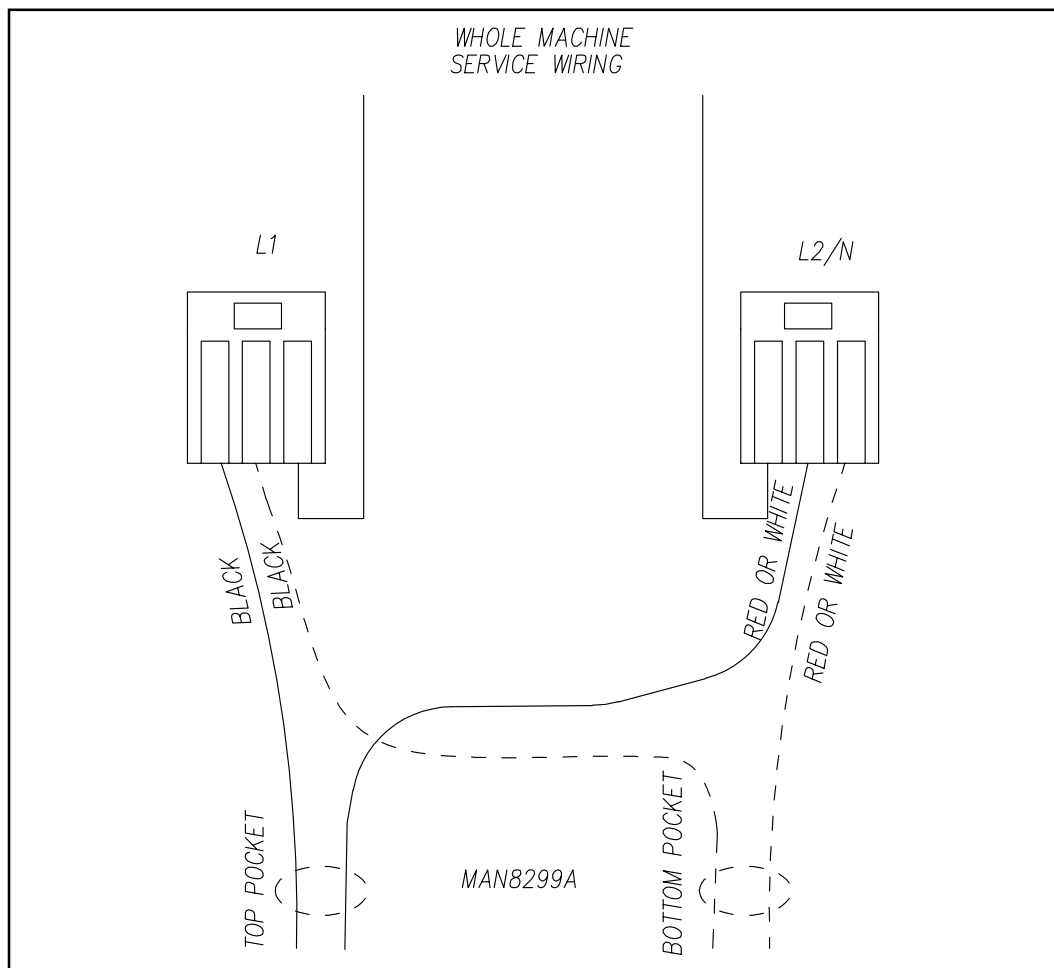
Single-Phase Electrical Lead Connections		
<u>Black</u>	<u>White or Red</u>	<u>Green</u>
Positive or L1	Neutral or L2	Ground

Electrical Specifications (50Hz)

Electric Service	AD-30x2	AD-45x2
POCKETS WIRED INDEPENDENTLY		
Per Pocket		
220-240V 1 ~	10	10
POCKETS WIRED TOGETHER		
Both Pockets		
220-240V 1 ~	13	16



Pockets Wired Independently



Pockets Wired Together



Gas Information

Gas installation should be performed by qualified personnel in accordance with national and local safety regulations.

Before installation, check that the local distribution conditions, nature of gas and pressure, and the adjustment of the appliances are compatible.

This appliance must only be installed in the country that is indicated on the rating plate (data badge). If the appliance is to be installed in a country other than the one indicated, a new rating plate must be obtained from the manufacturer.

Refer to the Technical Specifications section for minimum gas supply pipe size (do not reduce). Piping should conform to local and national requirements. In AU/NZ, refer to AS/NZS 5601.1 for guidance on gas supply pipe size for this appliance installation.

If the gas connection is made with a flexible hose, it must be suitable for the appliance category in accordance with national safety regulations of the country of destination.

Mount a shutoff valve upstream from the dryer.

Test all connections for leaks.

The burner will attempt to light for maximum of 8-seconds (2 retries).

The dryer must be restrained to prevent straining the gas supply connection (fastening holes are provided in the top of the dryer for this purpose). The length and design of the restraint should be suitable to prevent strain on the gas line if the dryer is moved. If the dryer is to be moved then the following steps must be taken:

- Disconnect electrical power to the dryer.
- Close all external gas supply shutoff valves.
- Disconnect the gas supply line.
- Remove the restraint from the dryer.

CE Approved Gas Types	
2nd Family	
I_{2H} (20)	AT, BG, CH, CZ, DK, EE, ES, FI, GB, GR, HR, IE, IT, LT, LV, NO, PT, RO, SE, SI, SK, TR
I_{2E} (20)	DE, LU, PL
I_{2ELL} (20)	DE
I_{2E+} (20/25)	BE, FR
I_{2L} (25)	NL
3rd Family	
I_{3+} (28-30/37)	BE, CH, CY, CZ, ES, FR, GB, GR, IE, IT, LT, LU, PT, SI, SK
I_{3P} (37)	BE, CH, CZ, ES, FR, GB, GR, HR, IE, IT, LT, NL, SI, SK, PL, PT
$I_{3B/P}$ (30)	BG, CY, DK, EE, FR, HU, HR, IS, IT, LT, LU, MT, NL, NO, RO, SE, SI, SK, TR
$I_{3B/P}$ (50)	AT, CH, DE, SK

AU / NZ Approved Gas Types	
NG	LPG

CE Gas Specifications									
Gas Characteristics				* ADG-30x2			* ADG-45x2		
				1 Injector			3 Injectors		
Gas Type (Category)	Gas Symbol	H_s	Supply Pressure	Burner Pressure	Gas Rate	Injector Size	Burner Pressure	Gas Rate	Injector Size
		MJ/m ³							
Natural (I_{2H} / I_{2E})	G20	37.78	17-25	9.0	2.039	4.089	9.0	2.657	2.705
Natural (I_{2L})	G25	32.49	20-30	12.0	2.456	4.089	12.0	3.201	2.705
** Natural (I_{2E+})	G20	37.78	20	–	2.039	3.454	–	2.657	2.180
	G25	32.49	25	–	2.456		–	3.201	
** Butane or ** Propane (I_{3+})	G30	125.81	28-30	–	0.604	2.261	–	0.787	1.510
	G31	95.65	37	–	0.794		–	1.035	
Mix Butane & Propane ($I_{3B/P}$)	G30	125.81	30/50	20.0	0.604	2.438	23.0	0.787	1.613
Propane (I_{3P})	G31	95.65	37	25.0	0.794	2.438	28.0	1.035	1.613

* Consult factory for elevations over 610m for correct burner injector size(s).

** Gas valve's internal regulator is disabled.

AU and NZ Gas Specifications							
Gas Characteristics		* ADG-30x2			* ADG-45x2		
		1 Injector			3 Injectors		
Gas Type	Supply Pressure	Burner Pressure	Gas Rate	Injector Size	Burner Pressure	Gas Rate	Injector Size
	kPa	kPa	m ³ /H	mm	kPa	m ³ /H	mm
NG	1.7-3.2	0.87	2.039	4.089	0.87	2.657	2.705
LPG	2.75	2.50	0.604	2.438	2.50	0.787	1.613

* Consult factory for elevations over 610m for correct burner injector size(s).



Gas Type Conversion

This appliance must only operate with the gas type indicated on the dryer's rating plate. If the appliance is converted for use with a gas type other than the one indicated, a new rating plate must be obtained from the manufacturer.

Burner conversion must be performed by qualified personnel in accordance with national and local safety regulations.

The required conversion kit will depend on the gas type and the country the dryer is installed in.

Parts Required for Conversion:

1. Rating Plate (Data Badge)
2. Injector (refer to Gas Specification Chart)
3. Gas valve conversion kit:

Gas Valve Conversion Kit	
Converting To	Gas Valve Kit
I _{2E+} / I ₃₊	* 140411
I _{3B/P} / I _{3P} LP (AU/NZ)	140413
I _{ab} / I _{2H} / I _{2E(LL)} / I _{2L} NG (AU/NZ)	140418

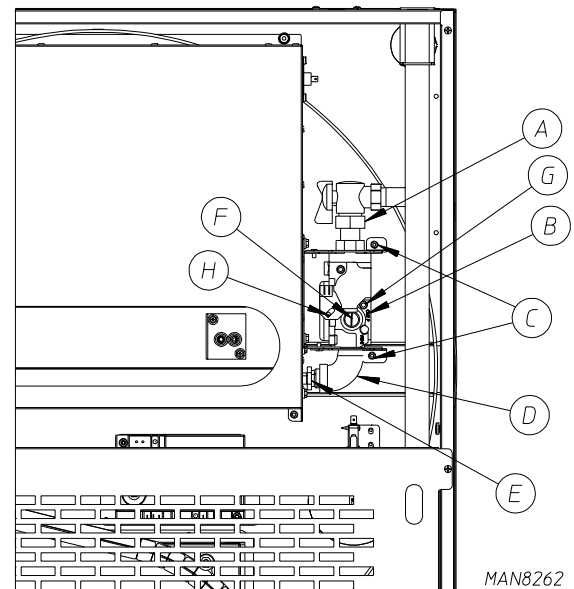
* Disables gas valve's regulator. Adjust the gas supply pressure to the value shown in the Gas Specification Chart.

Conversion Instructions

(Refer to figure)

1. Discontinue electrical power to the dryer.
2. Close shutoff valve in the dryer's gas supply line.
3. Disconnect gas valve wiring (label wires first).
4. Disconnect the union (A) between the external shutoff and the gas valve (B).

5. Remove screws (C) and remove the gas valve (B) with manifold (D) assembly from the dryer.



6. Replace the main burner injector(s) (E) with the correct injector (see appropriate Gas Specification Chart).
7. Instructions on how to convert the gas valve is included with the gas valve conversion kit (see chart).
8. Reverse steps 4-5 to install the gas valve (B) with manifold (D) assembly.
9. Open shutoff valve in the dryer's gas supply line.
10. Test all connections for leaks.
11. Connect gas valve wires.
12. Continue electric power.
13. Provide proper gas pressure to the injector (see chart):
Gas supply pressure for categories I_{2E+} and I₃₊ must be regulated in the dryer's gas supply line.
All other gas categories require adjustment of the gas valve's internal regulator; instructions below.
14. Replace the original rating plate with the new version.

Burner Pressure Measure and Adjust

(Refer to figure)

1. Discontinue electrical power to the dryer.
2. Turn the gas valve's switch (H) to "OFF" position.
3. Back out the miniature screw inside the outlet pressure tap ("out P") (G).
4. Attach a manometer to pressure tap (G).
5. Turn the gas valve's switch (H) to the "ON" position.
6. Continue electrical power to the dryer.
7. Run a "heat" cycle and wait for burner ignition.
8. Gas manifold pressure can now be measured.
9. If the gas pressure does not need adjustment then disconnect electric power and go to Step-10, otherwise:
 - 9.1. Disconnect electrical power to the dryer.
 - 9.2. Regulator screw is under the regulator cap (F).
 - 9.3. Remove the regulator cap (F) and turn the plastic adjustment screw to adjust the pressure (clockwise to increase, or counterclockwise to decrease).
 - 9.4. Continue electrical power to the dryer.
 - 9.5. Run a "heat" cycle and wait for burner ignition.
 - 9.6. Gas manifold pressure can now be measured.
 - 9.7. If the manifold pressure needs further adjustment then return to "Step 9.1."
 - 9.8. Disconnect electrical power to the dryer.
 - 9.9. Replace the regulator cap (F).
10. Turn the gas valve's switch (H) to "OFF" position.
11. Remove manometer and tighten pressure tap screw (G).
12. Turn the gas valve's switch (H) to "ON" position.
13. Continue electrical power to the dryer.



Water Information

(If dryer is equipped with F.S.S.)

Water installation should be performed by qualified personnel in accordance with national and local safety regulations.

If the water system activates then you must have the dryer inspected by a qualified agency. Do not operate the dryer.

Electric power to the dryer must be on at all times in order for the fire suppression system (F.S.S.) to function.

The water connection is made into the top of the dryer (refer to the Technical Specifications page).

Use a new hose to connect to the water supply.

A flexible supply line, with coupling, must be used to avoid damaging the water solenoid valve.

Water supply pipe size should be at least 1/2-inch (nominal) (21.3 mm) and the supply pressure should be 275 ± 137 kPa.

Protect water lines from freezing if they will be exposed to freezing-cold temperatures.

Start-Up

Check:

- All shutoff valves should be open.
- All back panels (guards) should be in position.
- Service doors should be securely closed.
- Lint drawers should be fully closed.
- The tumbler (drum) should rotate freely.

Tumbler Coating

The tumbler has a protective coating that should be wiped clean with water and mild detergent solution (non flammable). Alternatively, tumble a load of old garments that are wetted with water and mild detergent solution (non flammable).

Preoperational Test

A performance check is needed after the dryer is fully installed and before the dryer is ready for use.

Start the dryer (refer to the Operating Instructions below).

Check for flame ignition (may need more than one attempt to purge air from the gas supply pipe).

Safety Related Circuits

The dryer should stop when the main door is opened.

The dryer should stop when the lint drawer is opened.

If any failed test cannot be corrected, or if other concerns are detected, contact your local service organization or dealer.

Ready for Use

If all tests are acceptable then the machine is ready for use.

Installer must instruct the end user on how to operate the dryer before leaving.

Operating Instructions

Coin Models

The display will show "Ready, Insert **amount** to Start" when the dryer is ready for use.

Insert the required coin(s). The display will show "Select Temperature" when the "amount-to-start" has been satisfied.

Select the desired cycle by pressing "HI," "MED," or "LO."

The dryer will start and display the cycle and remaining time.

Press "■" to pause the dryer. Select desired cycle to restart.

Non-Coin Models

The display will show "Select Temperature to Start" when the dryer is ready for use.

Select the desired cycle by pressing "HI," "MED," or "LO."

The dryer will start and display the cycle and remaining time.

To add or subtract time, press and hold the "HI" or "LO" for 3-seconds. The control will display the remaining time. Press the "HI" key to add time or press the "LO" key to subtract time.

Press "■" to pause the dryer. Press "■" again to clear the dry cycle or select a heat cycle to restart the dryer.

Routine Maintenance

A schedule should be established for the periodic inspection, cleaning, and lint removal. The frequency of cleaning can best be determined from experience at each location. Ideal drying performance depends on sufficient airflow. Lint accumulation can restrict airflow and is also a fire hazard.

Avoid using harsh chemicals when cleaning the dryer.

Suggested Cleaning Schedule

(Based on approximately 6-8 hours of daily operation)



To avoid electric shock and contacting moving parts, discontinue electrical supply any time a panel (without an interlock switch) or guard is removed.

Every Three or Four Loads

Clean the lint screen— pull out drawer located below the main loading door. Replace the lint screen if it is torn or damaged.

Weekly

Clean lint accumulation from the lint chamber, thermostat and operating temperature sensor (located just below the drum).

90 Days

Clean any lint accumulation in and around the dryer.

Particular attention must be given to the removal of lint from the burner area (located behind the back guard on each pocket) and the area near the drive and fan motors.

Caution: Avoid touching the igniter and flame-sensor probes.

6 Months

Remove lint accumulation in the fresh-air intake openings and in the exhaust ductwork.

Remove lint that may interfere with any back-draft damper

Check all back-draft dampers for proper operation.

Service / Parts Information

Service must be performed by a qualified technician. If service is required, contact the reseller who sold you the equipment. If the reseller cannot be reached then contact our Service Department for a reseller in your area.

Replacement parts can be obtained from your reseller or the ADC factory. When ordering replacement parts from the factory, you can FAX your order to ADC at +1 (508) 678-9447 or telephone our Parts Department at +1 (508) 678-9000. Please be prepared to provide the dryer model number, serial number, description of the part, and the part number (if known).

This dryer is equipped with a manually resettable high-limit thermostat in the lint compartment area.

The wiring diagram for the dryer is located behind the control panel.

Data Label Information

When contacting ADC, certain information is required to ensure proper service/parts information from ADC. This information is on the data label affixed to the right side panel area at the rear of the dryer. When contacting ADC, please have the model number and serial number available.

1. MODEL – Dryer model number.
2. SERIAL NUMBER – Unique identification number.
3. GAS TYPE – Gas type the dryer is constructed for.
4. HEAT INPUT – Rate of combustion
5. ORIFICE SIZE – Injector opening (in mm).
6. ELECTRIC SERVICE – Electric supply type.
7. GAS PRESSURE – Supply and regulated pressure.

CE Rating Plate

AMERICAN DRYER CORP. 88 CURRIANT RD., FALL RIVER, MA 02720-4781 (508) 678-9000 EMAIL: SERVICE@AMDRY.COM		CE
1 MODEL XXXXXX	SERIAL NO. XXXXXX	2
COUNTRY OF DESTINATION XXXXXX		
3 GAS TYPE XXXXXX	APPLIANCE CATEGORY XXXXXX	
7 SUPPLY PRESSURE XXmb	GROSS HEAT INPUT XXkw	4
ADJUSTED PRESSURE XXmb	GAS RATE XXXXXX	
5 ORIFICE SIZE XXmm	XXXXV/XXHZ/XP Rated Current XAmps	6
THIS APPLIANCE MUST BE INSTALLED IN ACCORDANCE WITH THE RULES IN FORCE, AND USED ONLY IN A SUFFICIENTLY-VENTILATED SPACE. CONSULT INSTRUCTIONS BEFORE INSTALLATION AND USE OF THIS APPLIANCE.		
MAN7738		

AGA Rating Plate

AMERICAN DRYER CORP. 88 CURRIANT RD., FALL RIVER, MA 02720-4781 (508) 678-9000 EMAIL: SERVICE@AMDRY.COM		AGA
1 MODEL	SERIAL NUMBER	2
CERTIFICATE OF COMPLIANCE NUMBER	COUNTRY OF DESTINATION AUSTRALIA	
3 GAS TYPE	ORIFICE SIZE mm	5
SUPPLY PRESSURE kPa	TOTAL NOMINAL GAS CONSUMPTION MJ/h	4
ADJUSTED PRESSURE kPa	V- Hz Amps Ph	6
7		
THIS APPLIANCE MUST BE INSTALLED IN ACCORDANCE WITH THE RULES IN FORCE, AND USED ONLY IN A SUFFICIENTLY-VENTILATED SPACE. CONSULT INSTRUCTIONS BEFORE INSTALLATION AND USE OF THIS APPLIANCE.		
MAN7737		

Warranty Information _____

For any warranty-related issues, please contact our Warranty Department at +1 (508) 678-9000.

If you need a copy of the warranty covering your dryer please contact the reseller who sold you the equipment. If the reseller cannot be contacted then call our Warranty Department.

Before calling, please have the dryer model and serial number (from rating plate) and the installation date of the dryer.

The rating plate can be found behind the control panel on some dryers and inside the back guard on other dryers.

All warranty claims or inquiries should be addressed to our Warranty Parts Department. To expedite warranty claim, please follow these procedures:

Do not ship any part to us without proper authorization (Return Material Authorization or R.M.A.) from the factory. An R.M.A. is only valid for 30 days.

Ship the failed component, a copy of the R.M.A., and any other supporting documentation.

Label or tag each part with the model and serial number (from the rating plate) of the dryer it was removed from. Warranty tags (Part No. 450064) are available (no charge) from ADC.

Describe the nature of the failure (be specific).

Provide the date that the dryer was installed.

Provide the date when the component failed.

Specify if the part is being returned for a credit, replacement, or refund. If a part is marked for a credit or a refund, please provide the invoice number of the replacement part purchase.

You must clearly note your company's complete name and address on the outside of the package.

All returns should be shipped to the factory with adequate insurance and "proof-of-delivery" from the shipping company.

No replacements, credits, or refunds will be issued for components damaged during transit. All returns must be properly packaged to prevent such damage, and any claims are the responsibility of the shipper.

Shipping charges are your responsibility. Any C.O.D. or "Collect" shipments will be refused.

You will be notified if your warranty claim cannot be processed due to insufficient or missing information. We must receive this information within 30 days otherwise the claim will be rejected and the part will be discarded.

For your convenience, log the following information:

Date of Purchase: _____

Model Number: _____

Reseller's Name: _____

Serial Number: _____

This product embodies advanced concepts in engineering, design, and safety. If this product is properly maintained, it will provide many years of safe, efficient, and trouble-free operation.

We have tried to make this manual as complete as possible and hope that you will find it useful. The manufacturer reserves the right to make changes from time to time and without notice or obligation. The illustrations included in this manual may not depict your particular dryer exactly.

The appliance has been tested to the relevant Low Voltage Directives.

NOTES _____
